

OPTICAL & MECHANICAL SPECIFICATIONS

1.Application	For 1/3" Format Color Camera	
2.Focal Length	15 mm - 50 mm	
3.Maximum Relative Aperture	1 : 1.5	
4.Iris Range	F1.5 - T360 (Equivalent to F360)	
5.Image Size	φ6 mm (4.8 mm X 3.6 mm)	
6.Back Focal Length	14.07 mm(W) - 8.56(T) (in air)	
7.Flange Focal Length	12.5 mm (in air)	
8.Focus Range	∞ - 0.8 m (from Front of Lens)	
9.Field Angle		
	a) Horizontal	Wide 18°29' Tele 5°29'
	b) Vertical	Wide 13°45' Tele 4° 9'
	c) Diagonal	Wide 23°21' Tele 6°46'
10.Field of View at M.O.D		
	a) Horizontal	Wide 271 mm Tele 91 mm
	b) Vertical	Wide 201 mm Tele 69 mm
11.Clear Aperture		
	a) Front	φ19.6 mm
	b) Rear	φ10.6 mm
12.Exit Pupil Position	-50mm(W) -233mm(T) (from Image Plane)	
13.Control		
	a) Iris	See Electrical Spec.
	b) Zoom (*1)	Manual (Op. Angle 60°)
	c) Focus	Manual (Op. Angle 60°)
14.Mount	CS-Mount	
15.Filter Screw Size	—	
16.Mass	Approx. 45 g	

(*1) Out of Focus occurs during Zoom operation due to the specification, Vari-focal length lens.

ENVIRONMENTAL CONDITIONS

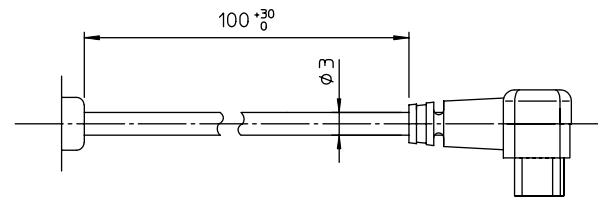
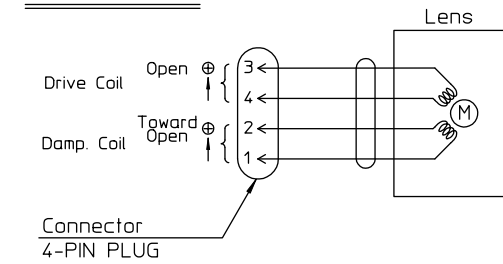
1.Temperature	
	a) Operating -10°C to +60°C
	b) Storage -20°C to +70°C
2.Relative Humidity	35% to 90%

ELECTRICAL SPECIFICATIONS

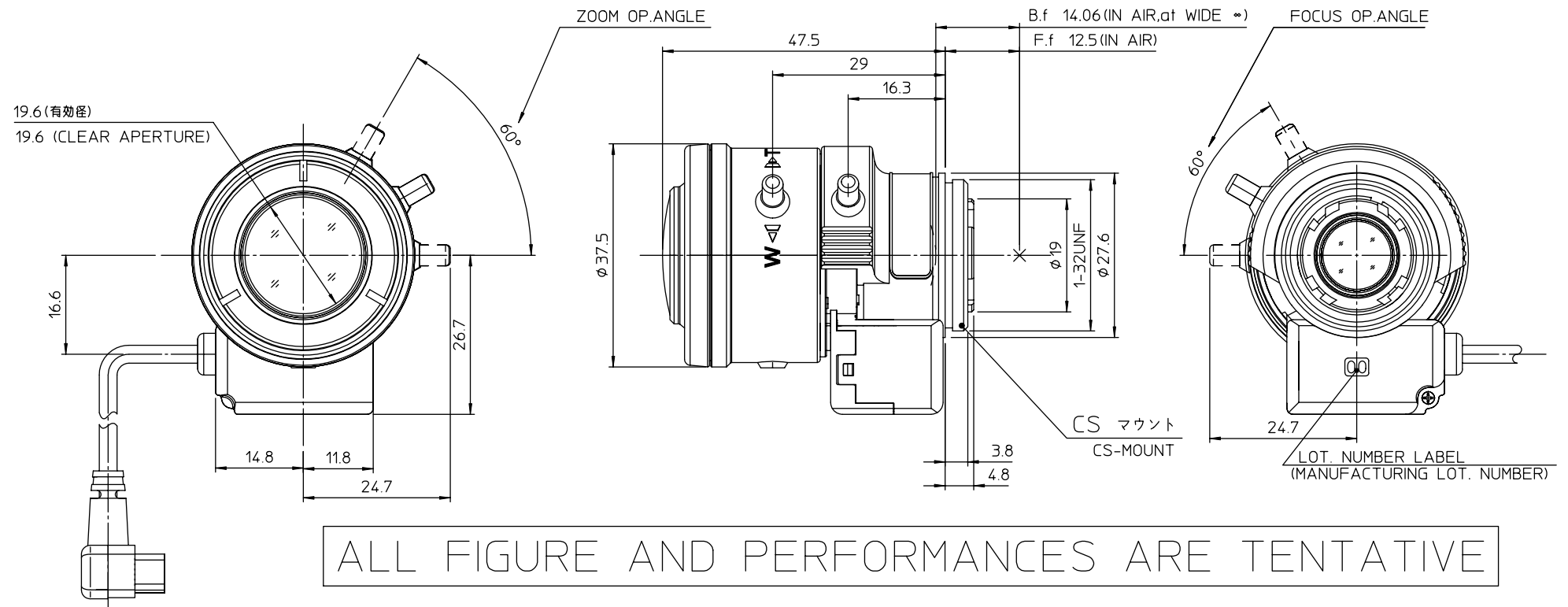
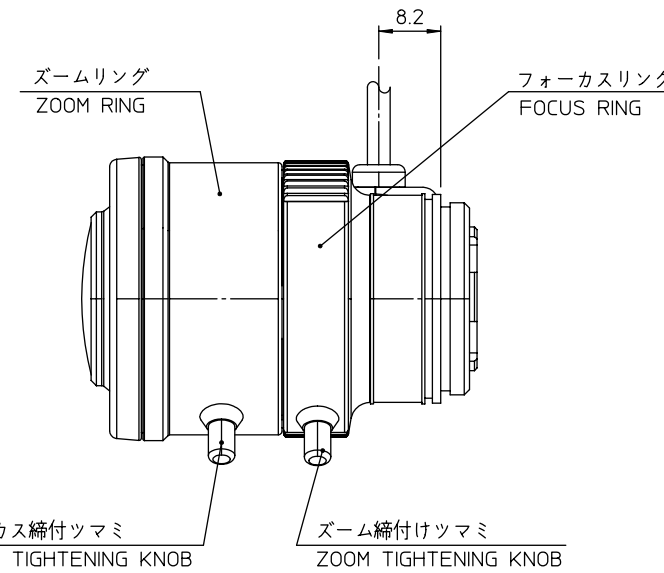
Iris Characteristics	
a) Control	Auto (Not Incorporating Amplifier)
b) Coil Resistance	Drive Coil 190 Ω±10%
	Damping Coil 500 Ω±10%
c) Operating Current	23 mA (Max.) at 4V DC

* When power is turned off, iris will automatically be closed.

WIRING DIAGRAM



アイリスコントロールケーブル
IRIS CONTROL CABLE
(CONNECTOR : 4-PIN PLUG)



ALL FIGURE AND PERFORMANCES ARE TENTATIVE

レンズ本体： 外観図
Outline drawing
YV3.3x15R4A-SA2

Fig. 1