

Panasonic[®]

Vandal Proof Color Cameras WV-CW244 Series

For ceilings and walls For existing junction boxes



Surface Mount Type
WV-CW244S



Flush Mount Type
WV-CW244F

**The Easy to Install, Vandal Proof, Weather Proof,
and Cost Effective Camera Solution**



These high-performance cameras are tough enough to withstand shock, rain and a wide range of temperatures.

Panasonic announces the new WV-CW244 Series of standard vandal proof cameras. Inside their compact, rugged bodies, these all-in-one cameras provide a full range of surveillance features.

The optional heater unit allows them to be used under eaves outdoors as well as inside, in cold environments or exposed to temperature fluctuations, making them ideal for a wide range of applications.



Heavy Duty

Die cast aluminum body

Withstands Severe Shocks

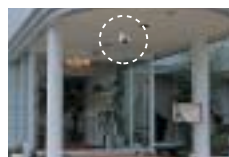
The body is die cast aluminum, with a 3.5mm thick polycarbonate dome, and a spring mounted lens unit to protect the camera from shocks.



IP66 standard

Protection Against Rain and Wind

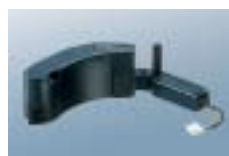
Dust and moisture resistance meet IP66 international standards, allowing use under eaves outdoors as well as indoors.



Heater unit: WV-CW3H (Optional)

Ideal for Varying Temperatures

The optional heater unit adjusts automatically to temperature fluctuations, helping to prevent dew condensation.

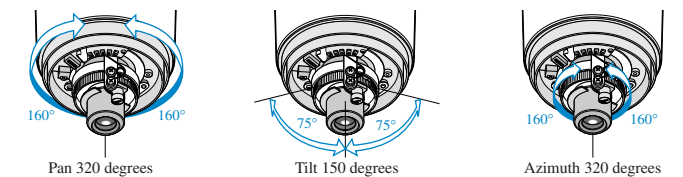


Simple to Install

Exclusive three-way hinge

Trouble-free Installation Anywhere

Inside the dome, the camera is mounted on a three-way hinge that allows horizontal, vertical, and rotary movement. Plus, digital image processing allows images to be flipped horizontally or vertically. Adjustment is so simple that there is no need to worry about where the camera is attached or how it is oriented.



Monitor output interface

Easy-to-adjust Angle and Focus

Hooking up a small-format LCD monitor makes on-the-spot adjustments of angle and focus easy. ELC features are activated automatically when the monitor is attached, making it simple to be sure that the camera is recording what you want to see.



Can Be Installed on Existing Junction Boxes

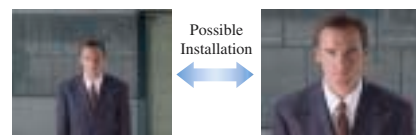
For existing junction boxes, use the Flush Mount Type; WV-CW244F.



High-Performance

2x Variable Focus Lens

A 2x zoom lens with a focal length that varies from 3.8 to 8.0 mm is standard equipment, ensuring the best possible image under surveillance.



480-Line Horizontal Resolution

Using a 1/3-type 768 (H) x 494 (V) pixel CCD, these cameras deliver razor sharp images with 480 lines of horizontal resolution.

High Sensitivity in Lighting

as Low as 1lux (0.1fc)

Minimal lighting required is 2.4lux (0.24fc) when using the standard smoke-colored dome. When equipped with the optional WV-CW2C clear dome cover and sleeve, these ultra-sensitive cameras work well in light as low as 1lux (0.1fc), making it possible to obtain clear color images in darkened spaces.



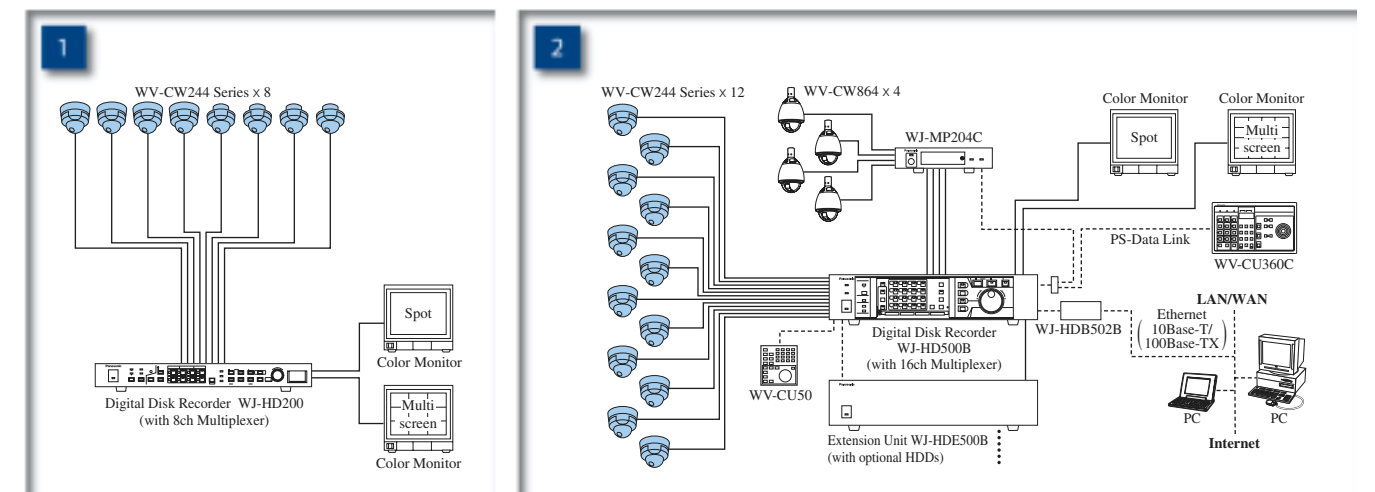
Loaded With Outstanding Compensation and Correction Features

These cameras come equipped with a full range of Back-Light Compensation (BLC), Aperture Correction, and Auto Tracing White Balance (ATW) features, enabling them to produce clear, color images in entrances, windows, and other environments.

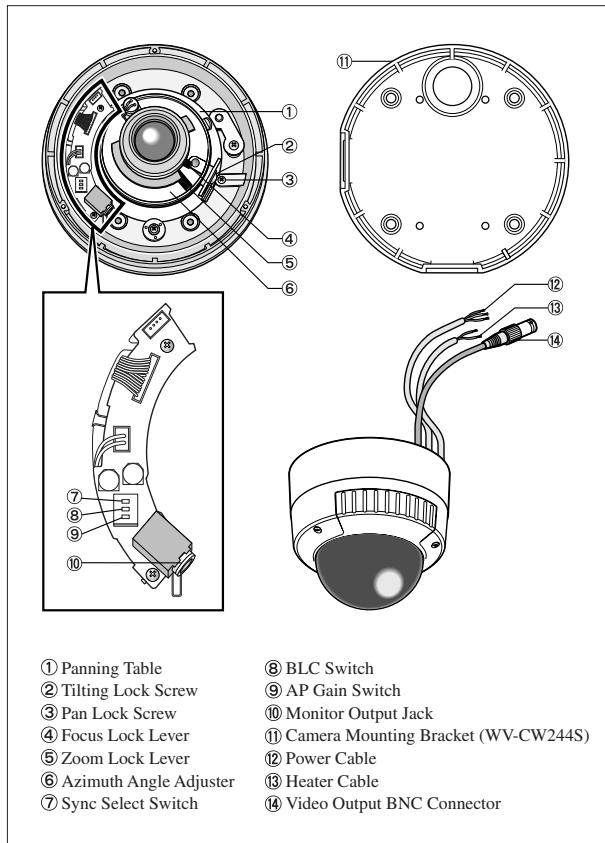
Multi-Channel Camera System Compatible

When installed with an AC 24-volt power source, Internal, Line-Lock, and VD2 channels can be used, making it simple to configure multi-channel systems using multiple cameras.

System Examples



MAJOR OPERATING CONTROLS



OPTIONAL COMPONENTS & ACCESSORIES

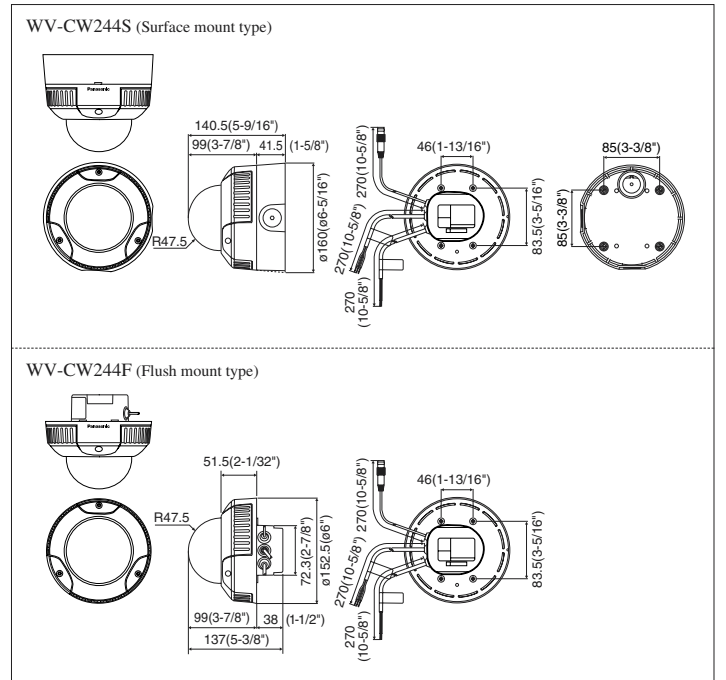
Heater Unit WV-CW3H 	Mounting Base for WV-CW244F WV-Q112 	Clear Dome Cover WV-CW2C 
Digital Video Duplex Color Multiplexers WJ-FS409 (9ch) PS•Data WJ-FS416 (16ch) PS•Data 	Data Multiplex Unit WJ-MP204C PS•Data 	System Controller WV-CU360C PS•Data 
Digital Disk Recorder with 16ch Multiplexer WJ-HD500B PS•Data 	Digital Disk Recorder with 8ch Multiplexer WJ-HD200 PS•Data 	
MATRIX SYSTEMS SYSTEM 850 SYSTEM 500 SYSTEM 150 	Color Monitors WV-CM2080 51cm (20") PS•Data WV-CM1780 41cm (16") PS•Data WV-CM1480 36cm (14") PS•Data WV-CM1420 34cm (13") WV-CM1020 22cm (9") 	

SPECIFICATIONS

Model No.	WV-CW244S	WV-CW244F
Type	Surface mount type	Flush mount type
Pick Up Device	768 (H) x 494 (V) pixels, interline transfer CCD	
Scanning Area	4.88 (H) x 3.66 (V) mm, (Equivalent to 1/3" tube)	
Scanning	525 lines / 60 fields / 30 frames	
Scanning System	2 : 1 interlace	
Synchronization	Internal / Line-Lock (AC 24V only) / Multiplexed Vertical Drive (VD2)	
Video Output	1.0V [p-p] / 75 Ω / NTSC composite signal / BNC connector	
Resolution	Horizontal	480 lines
	Vertical	more than 350 lines
Minimum Illumination (at Wide)	2.4 lux (0.24 fc) 1.0 lux (0.1 fc) with optional clear dome cover; WV-CW2C	
Signal to Noise Ratio	50dB (at AGC Off, Weight On)	
White Balance	ATW	
Detail/Aperture Level Selector	SHARP or SOFT, selectable	
Camera Angle	Pan 320°, Tilt 150° and Azimuth 320°	
Lens	Type	2x variable focal lens
	Focal Length	3.8 ~ 8.0 mm
	Aperture Ratio	1 : 1.4 (Wide), 1 : 1.8 (Tele)
	Min. Object Distance	1.2 m (3.9 ft) - ∞
Power Source and Power Consumption	24V AC, 60Hz; 3.0W / 12V DC; 265mA [WV-CW3H; 12.1W at 24V AC, 60Hz, Heater Unit only]	
Ambient Operating Temperature	-10°C ~ +50°C (14°F ~ 122°F) [-30°C ~ +50°C (-22°F ~ 122°F) with optional Heater Unit; WV-CW3H]	
Dimensions (D) x (H) (mm)	ø160 x 140.5 mm (ø6-5/16" x 5-9/16")	ø152.5 x 137 mm (ø6" x 5-3/8")
Weights (approx.)	1.4 kg (3.1 lbs.)	1.0 kg (2.2 lbs.)

APPEARANCE

Unit: mm (inches)



• All TV pictures are simulated. • Weights and dimensions are approximate. • Specifications are subject to change without notice. • These products may be subject to export control regulations.

Panasonic

Panasonic Digital Communications & Security Company

Unit of Matsushita Electric Corporation of America

Security Systems Group

<http://www.panasonic.com/cctv>

Executive Office : One Panasonic Way 3E-7, Secaucus, New Jersey 07094

Zone Office

Eastern : One Panasonic Way, Secaucus, NJ 07094 (201) 348-7303

Central : 1707 N.Randal Road, Elgin, IL 60123 (847) 468-5205

Western : 6550 Katella Ave., Cypress, CA 90630 (714) 373-7840

DISTRIBUTED BY:

PANASONIC CANADA INC.

5770 Ambler Drive, Mississauga, Ontario, L4W 2T3 Canada (905) 624-5010

PANASONIC SALES COMPANY

DIVISION OF MATSUSHITA ELECTRIC OF PUERTO RICO, INC.

San Gabriel Industrial Park 65th Infantry Ave. KM. 9.5 Carolina, P.R. 00985 (809) 750-4300

Printed in Japan

WV-JHCW244C(2P-509)