

Panasonic

ideas for life

Super Dynamic III Color Surveillance Cameras WV-CP480 Series

Lens : optional



SDIII

Super Dynamic

Now with Auto Back Focus, for Perfect Focus 24 Hours a Day

Panasonic introduces the new WV-CP480 Series *Super Dynamic III* cameras, equipped with Auto Back Focus (ABF). When these cameras switch from color to B/W mode, the cameras automatically make micron-order adjustments in CCD position to achieve precise back focus. The new Auto Back Focus (ABF) technology ensures delivery of clear, sharp, perfectly focused images 24-hours a day, automatically.

The new Pixel Based 128x Dynamic Range Correction adjusts automatically to moment-to-moment changes in contrast, making it possible to view subjects accurately in all areas and positions, thanks to area free natural contrast image correction. Horizontal resolution of 540 lines (typical) in color mode, and 570 lines in B/W mode, a dramatic improvement in color reproduction. With the optional F1.2 lens, clear images can be captured in lighting as low as 0.5 lux (0.05 fc) for color or 0.06 lux (0.006 fc) for B/W. Adaptive Digital Noise Reduction eliminates streaking in darker images.

Additional intelligent features include Auto Image Stabilizer to eliminate blurring and Scene Change Detection to warn of attempts to interfere with cameras.

The new WV-CP480 Series is ideal for a wide range of applications, offering 24-hour surveillance with imaging that delivers unprecedented, true-to-life realism.

KEY FEATURES

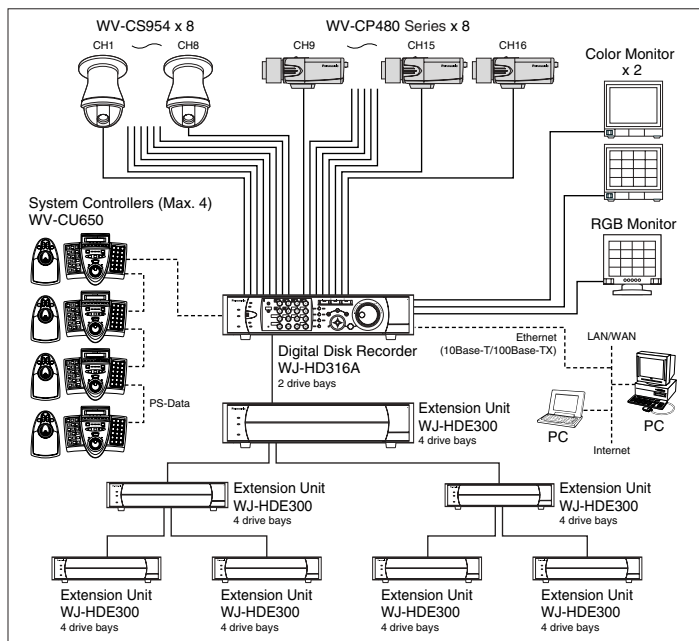
- 1/3-type double speed CCD color image sensor.
- The new Pixel Based 128x Dynamic Range with area free natural contrast image correction adjusts moment-to-moment changes in contrast to view subjects accurately in all areas and positions.
- Switches from selected color mode to B/W mode, automatically or manually.

- Higher horizontal resolution of 540-line (typical) at color mode, and 570-line at B/W mode.
- Minimum illumination:
 - 0.5 lux (0.05 fc) at color mode, 0.06 lux (0.006 fc) at B/W mode, at F1.2 optional lens
 - 0.6 lux (0.06 fc) at color mode, 0.08 lux (0.008 fc) at B/W mode, at F1.4 optional lens
- Innovative intelligent features:
 - *Auto Back Focus (ABF) adjustment function, for easy focus at installation and remote focus fine tuning (up-the-coax or via network by WJ-HD300 Series) after installation.
 - *Auto image stabilizer function for applications where vibration or wind is a concern, e.g. passing vehicles.
 - *Scene change detection alarms when lens is covered, spray painted, removed, defocused or camera angle is changed.
- Signal to noise ratio of 50dB.
- Digital motion detector.
- Menu setup can be displayed in 8 (eight) languages: English, German, French, Spanish, Italian, Russian, Chinese and Japanese.
- 16-alphanumeric character display.
- Electronic shutter from 1/60 (off) to 1/10,000 sec.
- Electronic sensitivity enhancement (auto/manual/off).
- Digital signal processing LSI's for high quality picture:
 - 2H vertical enhancement, chroma averaging circuit, minimum of aliasing, knee circuit, and highlight aperture correction.
- Gen-lock capability for the large system application.
- VD2 sync capability with Panasonic system products.
- Accepts both 24V AC or 12V DC power source (WV-CP484 model only).

1/3-type Variable Focal Lenses (optional)



SYSTEM EXAMPLE



SPECIFICATIONS

Model No.	WV-CP480	WV-CP484
Pick-up Device	768 (H) x 494 (V) pixels, interline transfer CCD	
Scanning Area	4.8 (H) x 3.6 (V) mm (Equivalent to scanning area of 1/3" pick-up tube)	
Scanning	525 lines/60 fields/30 frames	
Horizontal	15.734 kHz	
Vertical	59.94 Hz	
Synchronization	Multiplexed vertical drive (VD2), Line-locked, VBS/VS, or Internal	
GEN LOCK Input	VBS/VS 1.0 V [p-p] composite 75 Ω / BNC connector	
Video Output	1.0 V [p-p] NTSC/EIA composite 75 Ω / BNC connector	
Resolution	Horizontal	540 lines (in Color, Typical), 520 lines min. (in Color, at High), 480 lines (in Color, Normal), 570 lines (in B/W)
	Vertical	350 lines (at center)
Signal-to-Noise Ratio	50 dB (Equivalent to AGC Off, weight On)	
Dynamic Range	52 dB typical	
Minimum Illumination	0.5 lux (0.05 fc) at F1.2 (in Color), 0.6 lux (0.06 fc) at F1.4 (in Color), 0.06 lux (0.006 fc) at F1.2 (in B/W), 0.08 lux (0.008 fc) at F1.4 (in B/W)	
Lens Mount	CS-mount	
Major Items on Menu Setup		
Language	English, French, German, Spanish, Italian, Russian, Chinese, or Japanese	
Camera ID	Up to 16 characters	
Light Control	ALC/ELC	
Super Dynamic III	ON or OFF	
Electronic Shutter Speed	1/60(OFF), 1/100, 1/250, 1/500, 1/1,000, 1/2,000, 1/4,000, 1/10,000 s	
Gain Control	ON (HIGH), ON (MID), ON (LOW), or OFF	
Sensitivity Enhancement	OFF, x2AUTO, x4AUTO, x6AUTO, x10AUTO, x2FIX, x4FIX, x6FIX, x10FIX, x16FIX, x32FIX	
White Balance	ATW1, ATW2 or AWC	
Motion Detection	ON (Mode1/Mode2) / OFF	
Digital Noise Reduction	High or Low	
Resolution	Normal or High	
Black-and-White Mode	AUTO1, AUTO2, EXT, ON, or OFF	
Privacy Zone	ON (On1/On2) / OFF	
Mirror	ON or OFF	
ALC Lens Drive	DC or Video	
Camera-Shake Compensation	ON or OFF	
Back Focus Adjustment	Auto Back Focus, MANUAL, AUTO/PRESET/FIX	
Special	Chroma, Aperture, Pedestal, HUE adjustable	
Ambient Operating Temperature	-10 °C - +50 °C (14 °F - 122 °F)	
Ambient Operating Humidity	Less than 90 %	
Power Source and Power Consumption	120 V AC 60 Hz, 4.8 W	24 V AC 60 Hz, 4.7 W 12 V DC, 410 mA
Dimensions (without lens)	70 x 65 x 129 mm (2-3/4" x 2-9/16" x 5-1/16")	67 x 65 x 100 mm (2-5/8" x 2-9/16" x 3-15/16")
Weights (without lens)	520 g (1.1 lbs.) (without power cord)	400 g (0.9 lbs.)

Important – Safety Precaution: carefully read the operating instructions and installation manual before using this product.

• Weights and dimensions are approximate. • Specifications are subject to change without notice. • These products may be subject to export control regulations.

Panasonic

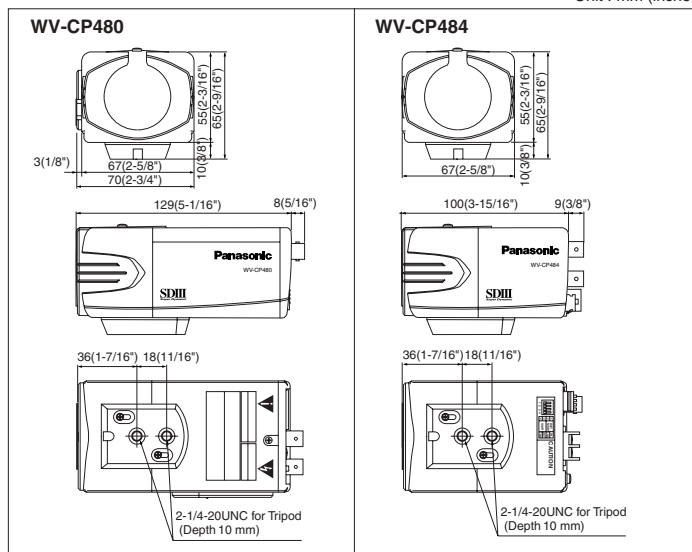
Panasonic System Solutions Company
Unit Company of Panasonic Corporation of North America
Security Systems

Website : www.panasonic.com/security
For Customer Support : call 1.877.733.3689

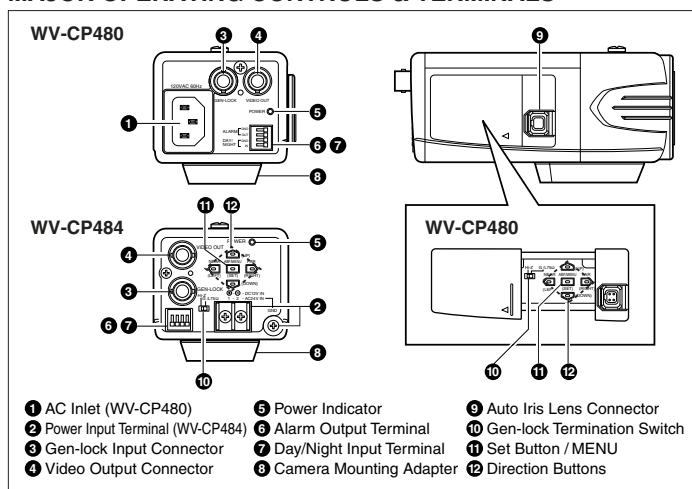
Executive Office : Three Panasonic Way 2H-2, Secaucus, New Jersey 07094
Zone Office
Eastern : Three Panasonic Way, Secaucus, New Jersey 07094
Central : 1707 N.Randal Road, Elgin, IL 60123
Southern : 1225 Northbrook Parkway, Suwanee, GA 30024
Western : 6550 Katella Ave., Cypress, CA 90630

APPEARANCE

Unit : mm (inches)



MAJOR OPERATING CONTROLS & TERMINALS



OPTIONAL COMPONENTS

DIGITAL DISK RECORDERS

WJ-HD316A (with 16ch Multiplexer)
WJ-HD309A (with 9ch Multiplexer)



PS-Data

MATRIX SYSTEMS

SYSTEM850
SYSTEM500
SYSTEM150



SYSTEM CONTROLLERS

WV-CU650
WV-CU360C



PS-Data

COLOR MONITORS

WV-CM2080 51cm (20") **PS-Data**
WV-CM1780 41cm (16") **PS-Data**
WV-CM1480 36cm (14") **PS-Data**
WV-CM1420 34cm (13")
WV-CM1020 22cm (9")



DISTRIBUTED BY:

PANASONIC CANADA INC.

5770 Ambler Drive, Mississauga, Ontario, L4W 2T3 Canada (905) 624-5010

PANASONIC PUERTO RICO INC.

DIVISION OF PANASONIC CORPORATION OF NORTH AMERICA

San Gabriel Industrial Park, 65th Infantry Ave. KM. 9.5 Carolina, P.R. 00985 (809) 750-4300

Printed in Japan

WV-JHCP480T(2P-524)