

NTSC WV-NW484S (24V AC, 12V DC or PoE) <Smoke Dome Type> PAL WV-NW484S (24V AC, 12V DC or PoE) <Clear Dome Type>



Network camera rating for heavy duty use featured by *Super Dynamic III*

Key Features

- Built-in MPEG-4 and JPEG digital signal output at VGA image size with up to 30 fps.
- MPEG-4/JPEG dual stream output for simultaneous live monitoring and high resolution recording.
- Progressive Output with motion adaptive interlace/progressive conversion allows every frame to be clear even when the object is moving.
- **Super Dynamic III** technology delivers 128x wider dynamic range compared to conventional cameras.
- High sensitivity with Day-Night function: 0.6 lux (Color), 0.08 lux (B/W) with clear dome cover.
- Adaptive Digital Noise Reduction: Selectable use of either 2D-DNR or 3D DNR ensures noise reduction in various conditions.
- 3.8 ~ 8.0mm, 2x varifocal lens with 3x digital zoom.
- Auto Back Focus (ABF) ensures easy installation and stable focus in both color and B/W modes.
- Scene Change Detection alarms when lens is covered, spray painted, removed or defocused.
- Video Motion Detector with 4 programmable detection areas and 3 sensitivity levels.
- Auto image stabilizer for applications where vibration or wind is a concern.
- Up to 32x automatic electronic sensitivity enhancement.
- SD Memory card slot for alarm recording and backup upon network failure.
- Alarm sources include Terminal input, VMD and Panasonic alarm command, and can trigger actions including SD memory recording, FTP image transfer, E-mail notification, Alarm indication, Terminal output and Panasonic protocol output.
- Built-in network interface (10Base-T / 100Base-TX).
- Power over Ethernet (PoE) IEEE 802.3af.
- Multiscreen: Images from 8 cameras can be displayed in two separate Quad screens (JPEG only)
- FTP client function enables periodic image data transfer or transfer upon alarm
- Alarm E-mail notification
- Max. bit rate/client for MPEG-4 (64 / 128 / 256 / 512 / 1,024 / 2,048 / 4,096 kbps) combined with Total bit rate control (64 / 128 / 256 / 512 / 1,024 / 2,048 / 4,096 kbps / Unlimited) allowing flexible network management.

- Supported Protocol: TCP/IP, UDP/IP, HTTP, FTP, SMTP, DHCP, DNS, DDNS, NTP, RTP and SNMP.
- Multi-language GUI and setup menu: English, French, Italian, Spanish, German, Polish, Russian (PAL), English, French (NTSC), (Installation required except for English).
- IP66 rated water and dust resistant. IEC60529 measuring standard compatible.
- Dehumidification device for use in various weather conditions.
- Vandal resistant mechanism for high reliability
- Three-way hinge (horizontal, vertical and swivel rotation) for easy installation
- Optional heater maintains operating temperature $-30^{\circ}\text{C} \sim +50^{\circ}\text{C}$ ($-22^{\circ}\text{F} \sim 122^{\circ}\text{F}$) even with PoE.

Standard Accessories

- | | |
|--|---|
| • CD-ROM* 1 pc. | • Mounting Bracket 1 pc. |
| • Operating Instructions, Basic Manual ... 1 pc. | • Driver Bit 1 pc. |
| • Label (MAC address) 1 pc. | • Waterproof tape (butyl rubber tape) ... 1 pc. |

The following are for installation.

- | |
|--|
| • 4-pin Alarm Cable 1 pc. |
| • RJ-45 female-female conversion connector 1 pc. |

* The CD-ROM contains Panasonic IP Setup Software, viewer software "Network Camera View3", and Standard Operation Manual/ Standard Setup Manual (PDF)

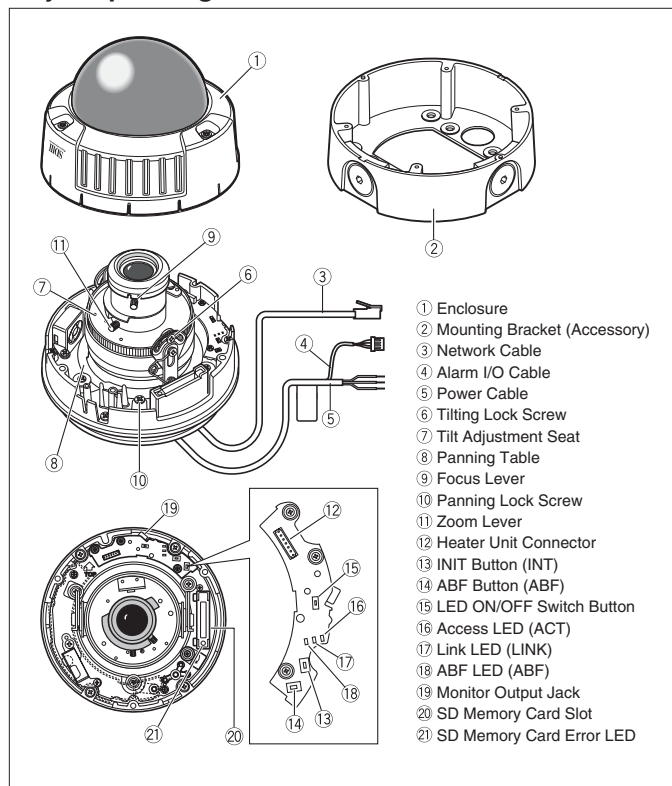
Optional Accessories

<p>Heater Unit WV-CW4H</p> 	<p>Embedded Ceiling Mount Bracket WV-Q169</p> 	<p>Clear Dome Cover WV-CW4C (NTSC only)</p>  <p>Smoke Dome Cover WV-CW4S (PAL only)</p> 
--	--	--

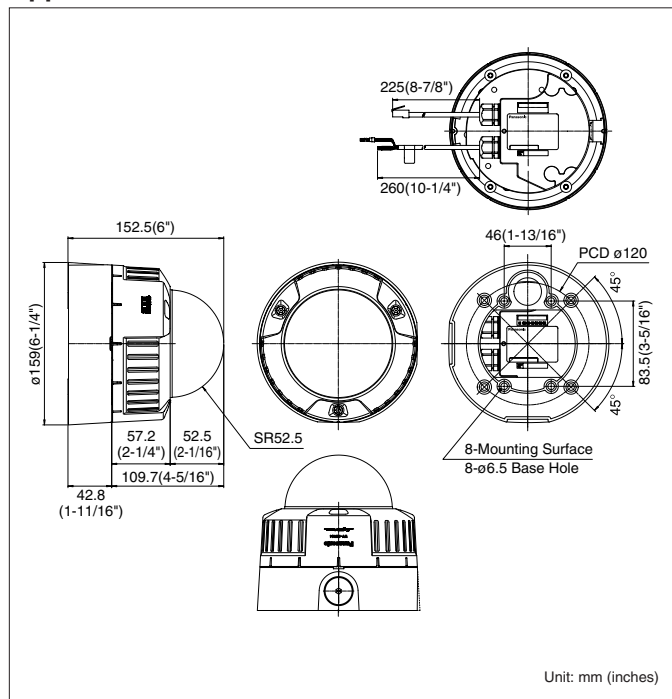
Specifications

TV System	NTSC	PAL
Camera	1/3-type interline transfer CCD	
	Effective Pixels 768 (H) x 494 (V)	
	Scanning Mode 2:1 interlace scan (with motion adaptive interlace/progressive conversion)	
	Scanning Area 4.8 (H) x 3.6 (V) mm	
	Minimum Illumination Color (30IRE): 1.5 lux (Sens up: OFF), 0.046 lux (Sens up: 32x) at F1.4 BW (10IRE): 0.16 lux (Sens up: OFF), 0.005 lux (Sens up: 32x) at F1.4 Will be same as PAL spec with WV-CW4C optional clear dome cover	
	White Balance AWC (2,000 - 10,000 K), ATW1 (2,700 - 6,000 K), ATW2 (2,000 - 6,000 K)	
	Light Control ALC	
	AGC ON (LOW) / ON (MID) / ON (HIGH) / OFF	
	Super Dynamic III ON or OFF (with BLC masking)	
	Dynamic Range 52 dB typical (Super Dynamic III: ON, Shutter speed: OFF)	
	Electronic Shutter OFF (1/60), AUTO, 1/100	
	Electronic Sensitivity UP OFF / AUTO (2x, 4x, 6x, 10x, 16x, 32x)	
	Digital Noise Reduction High / Low	
	Black and White Mode Mode: AUTO1 / AUTO2 / ON / OFF, Level: High / Low, with external control	
	Digital Zoom Up to 3x with Digital PAN/TILT	
	Video Motion Detector Mode1 (Motion): 4 areas, Sensitivity: 3 levels / Mode2 (Scene): OFF, Auto suspend 2, 5, 10, 30 sec.	
	Privacy Zone Up to 8 zones, Gray/Mosaic	
	Up Side Down ON / OFF	
	Auto Image Stabilizer ON / OFF	
	Camera Title Up to 16 characters (alphanumeric characters, marks)	
Lens Mount CS-mount		
Back Focus Adjustment ABF/MANUAL, ABF mode upon CL/BW switching: AUTO / PRESET / FIX		
Lens	Focal Length 3.8 - 8.0 mm, 2x varifocal	
	Angular Field of View H: 35.6° (TELE) - 73.6° (WIDE) V: 26.6° (TELE) - 53.4° (WIDE)	
	Maximum Aperture Ratio 1:1.4 (WIDE) 1:1.8 (Tele)	
	Min. Object Distance 1.2 m (3.9 ft)	
Pan and Tilt	Panning Range ±175°	
	Tilting Range ±75°	
Browser GUI	Camera Control Iris	
	Display Mode Image from 8 cameras can be displayed in 2 different Quad screens (JPEG only). 20 characters camera title available.	
	SD Memory Data Download Images recorded in the SD memory card can be downloaded.	
	Clock Display Time: 12H/24H, Date: 5 formats on the browser, Summer time (Manual)	
	Alarm Control Reset, Suspend	
	GUI/Setup Menu Language English, French (Installation required for French)	
	English, French, Italian, Spanish, German, Polish, Russian (Installation required except for English.)	
	System Log Alarm log, FTP error log (SD memory required)	
	Supported OS Microsoft Windows® 2000 Professional SP4, Microsoft Windows® XP Professional Home SP2 English, French, Italian, Spanish, German	
	Supported Browser Internet Explorer 7.0 Internet Explorer 6.0 SP2 (Windows® XP Home/Professional SP2) Internet Explorer 6.0 SP1 (Only Windows® 2000 Professional SP4)	
Network	Network IF 10Base-T / 100Base-TX, RJ45 connector	
	Image Resolution VGA (640 x 480) / QVGA (320 x 240)	
	Image Compression MPEG-4: Image quality: LOW/NORMAL/FINE, Transmission type: UNICAST/MULTICAST JPEG: Image quality: 10 steps, Transmission type: PULL/PUSH MPEG-4/JPEG dual streaming and JPEG multi-resolution supported.	
	Image Refresh Rate (JPEG) 0.1 / 0.2 / 0.33 / 0.5 / 1 / 2 / 3 / 5 / 6 / 10 / 15 / 30 ips (Max. rate will be 5 ips-VGA, 10 ips-QVGA when transmitting JPEG and MPEG-4 simultaneously)	
	Total Bit Rate 64 / 128 / 256 / 512 / 1,024 / 2,048 / 4,096 kbps / Unlimited	
	Max. Bit Rate/Client (MPEG-4) 64 / 128 / 256 / 512 / 1,024 / 2,048 / 4,096 kbps	
	Supported Protocol TCP/IP, UDP/IP, HTTP, FTP, SMTP, DHCP, DNS, DDNS, NTP, SNMP, RTP	
	FTP Client Alarm image transfer, Periodic image transfer	
	No. of Simultaneous Users Up to 8 users	
	SD Memory Card (Option) Alarm REC/Backup upon network failure. Compatible SD card: Panasonic 64MB, 128MB, 256MB, 512MB, 1GB, 2GB model. SDHC standard card not supported.	
	Alarm E-mail Yes	
	User Registration Up to 16 users	
	User Level 3 Levels: Administrator, Camera control, Live only	
	Security Method User authentication (ID and Password), Host authentication (IP address)	
	Alarm	Alarm Source VMD, Command alarm, Terminal input
Alarm Actions SD memory recording, E-mail notification, Indication on browser, FTP image transfer, Panasonic protocol output		
Input/Output	EXT. Input/Output ALARM input, ALARM output/Black and White Mode input, AUX output	
	Monitor Output 1.0 V [p-p] / 75 Ω, NTSC composite, RCA jack 1.0 V [p-p] / 75 Ω, PAL composite, RCA jack	
General	Safety/EMC Standard UL (E6000 Edition2), FCC (Part15 ClassA), CE (EN55022, EN55024, ClassB), C-UL (E60065), DOC (ICES003 ClassA), GOST (R 51558)	
	Power Source 24 V AC, 60 Hz / 12 V DC / PoE (IEEE802.3af) 24 V AC, 50 Hz / 12 V DC / PoE (IEEE802.3af)	
	Power Consumption 16 W (24 V AC) / 920 mA (12 V DC) / 12 W (PoE Class 0) with Optional Heater	
	Ambient Operating Temperature -10 °C ~ +50 °C (14 °F ~ 122 °F), -30 °C ~ +50 °C (-22 °F ~ 122 °F) with Optional Heater (24 V AC/PoE)	
	Ambient Operating Humidity 90 % or less (without condensation)	
	Water and Dust Resistance IP66 rated water and dust resistant. IEC60529 measuring standard compatible.	
Dimensions ø159 mm x 153 mm (H) (6-1/4" x 6-1/32")		
Weight approx. 1.9 kg (4.18 lbs.) (with Mounting Bracket)		

Major Operating Controls & Terminals



Appearance



Trademarks and registered trademarks

- Microsoft, and Windows are registered trademarks of Microsoft Corporation in the U.S. and other countries.
- SD logo is a trademark.

Important

- Safety Precaution: carefully read the operating instructions and installation manual before using this product.
- Panasonic can not be responsible for network performance and/or other manufacturer products that reside on the network.

- All TV pictures/menu are simulated.
- Weights and dimensions are approximate.
- Specifications are subject to change without notice.
- These products may be subject to export control regulations.
- Product pictures shown in this catalog are all NTSC models.

DISTRIBUTED BY: