

Overview

The GELI8T lay-in tile speaker is designed for fast and trouble-free installation in standard suspended tile drop-ceilings. Its 24-inch length fits either 2' x 2' or 2' x 4' ceiling grids.

Each speaker comes ready to install and complete with grille, transformer, back box, and grid rail edge. Wires terminate in an included single gang box.

The GELI8T operates as a paging and intercom speaker for StarCall or MCS350 systems.

Standard Features

- One-piece assembly saves time on-site
- Unique grid rail edge blends inconspicuously with surrounding tiles
- Adjustable volume control
- Integrated tile bridge
- White grille matches most standard ceilings
- Internal 5-watt transformer selectable for 25 or 70.7-volt operation

Application

The GELI8T installs quickly and easily. When mounting in a traditional 2' x 2' or 2' x 4' dropped ceiling, only one perpendicular cut to the acoustical tile is needed.

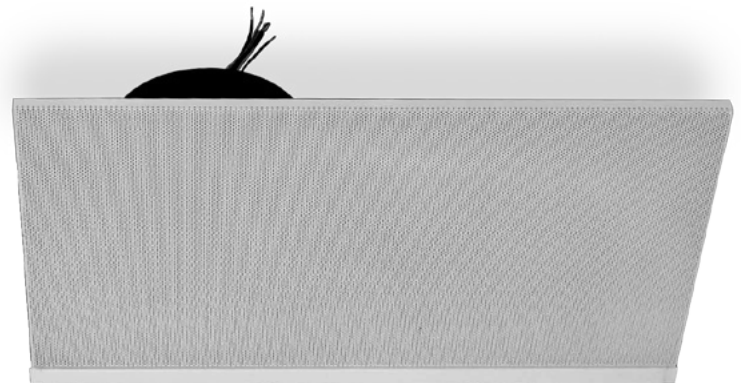
The GELI8T is ideal for voice transmission, music and signal reproduction. Use it with StarCall or MCS350 systems in commercial locations such as offices, banks, educational institutions, restaurants, hotel/motels and other industrial/institutional/governmental applications where precise transmission of audio is required.

Engineering Specification

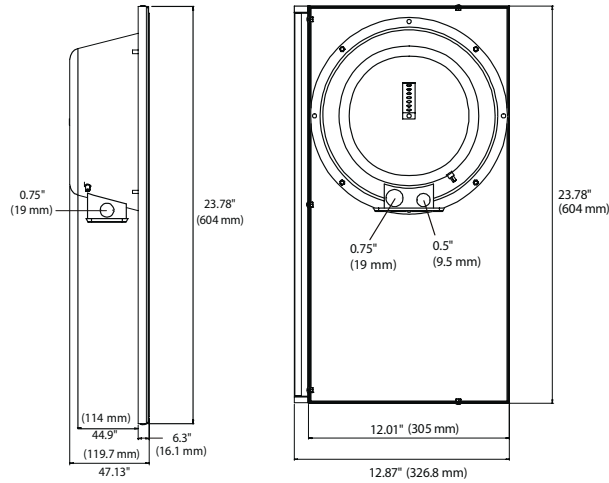
The lay-in speaker shall be a 1-piece assembly comprised of a damped high-compliance 8" loudspeaker, factory-mounted, 70.7/25-volt transformer, tile bridge, enclosure and 1' x 2' grille. It shall include a 10-watt, twin-cone speaker and transformer having power taps of 5, 2, 1, 0.5 and 0.25 watts. Output shall be 95 dB @ 1 watt, 1 meter. Frequency response shall be 60-20 kHz.)

Lay-in Cone Speaker

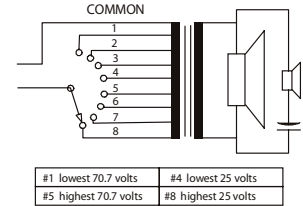
GELI8T



Installation



Connection is made to bare-ended wires inside an isolated box to meet code. Transformer taps are screwdriver adjustable on the enclosure.



Specifications

Cone Speaker Size	8 Inches (203 mm)
Frequency Response	60-20,000 Hz \pm 6 dB
Power Handling (Raw Driver)	10 Watts
Spl @ 1W 1M	95 dB
Dispersion @ 2 Khz (6 Db Down)	100°
Directivity Q Factor @ 2 kHz	6.90
Cone Material and Surround	Self-Edged Paper
Transformer Max Insertion Loss	1.5 dB
Cone Design	Twin Cone
Connection	Via Wire Nuts
70.7-Volt Transformer Taps	5, 2, 1, 0.5, 0.25
70.7-Volt Transformer Impedance	1K, 2.5K, 5K, 10K, 20K
25-Volt Transformer Taps	5, 2, 1, 0.625, 0.25
25-Volt Transformer Impedance	125, 312, 625, 1K, 2.5K
Transformer Tap Change	Rotary Switch
Baffle Material	Abs With Molded-In Uv Inhibitor
Magnet Weight	5.34 oz
Finish	Non-Reflective White Powder-Coated Epoxy Paint
Approvals	CE
Dimensions (LWD)	23.74" x 12.84" x 4.53" (603 X 326 X 115 mm)
Net Weight Lbs (Kgs)	9.07 (4.12)

Ordering Information

Model	Description
GELI8T	Lay-in Speaker with 8-inch Cone Speaker.

