

ColorTouch VoIP Annunciator

HC-ANNUN

The ColorTouch™ VoIP Annunciator is a primary call display device for users of the Telligence™ patient-staff communication system. It operates as both a user interface and a communications device that sends and receives data and audio signals over the Telligence IP network.

As a user interface, the ColorTouch VoIP Annunciator graphically displays incoming calls from stations and connected auxiliary hardware, providing a means for the user to prioritize and respond to selected events. As an audio device, it provides audible signaling functions and facilitates two-way full-duplex staff/patient and staff/staff communications.

The ColorTouch VoIP Annunciator comes configured for wall-mounted hands-free operation.

The ColorTouch VoIP Annunciator resides on the Telligence LAN/WAN and communicates with the server and other IP devices over a single standard Category 5 cable. This cable provides input and output for data and audio, as well as all necessary operating current for the device.

Assignment information relevant to each annunciator may be stored locally in its on-board memory or centrally at the configuration server. The ColorTouch VoIP Annunciator is set up with Telligence configuration tools. This programming determines whether or not a call or system event will display at the annunciator, and whether an audio connection should be established.

Passwords protect selected functions to restrict usage to approved users. Functions that can be restricted include Audio Page, Swing/Capture/Share and volume adjustments.

By subscribing to predetermined devices and events, the ColorTouch VoIP Annunciator can be set up to provide only the most relevant information at all times. Data is only sent to subscribed points, rather than being broadcast across the entire network. This innovative Telligence feature helps keep data flow down and communications speeds up.



Features

- **5.6 in backlit ColorTouch screen display**
Easy to read and simple to configure with soft keys and customizable labels
- **VoIP and Powered Ethernet**
Category 5/5e/6 type wiring carries voice, data, and power on a single cable
- **Different tone associated with highest priority call**
Important incoming calls are identified differently
- **320 x 240 LCD resolution**
Bright easy-to-read high contrast display provides a clear picture
- **Full duplex speaker/microphone**
Hands-free communications for busy caregivers
- **One-touch call answer**
Simple operation helps to ensure timely responses
- **RJ-45 connectivity**
Standard snap-in connectors help speed installation and maintenance
- **Multiple menu screens**
Concise information in a remarkably small footprint
- **Dynamic echo cancellation**
Helps eliminate noise

Note: Auxiliary hardware must be listed to appropriate safety standards. Auxiliary hardware must have a latching, normally open, dry contact relay, and must also provide a cable that has a standard 0.25 in plug.

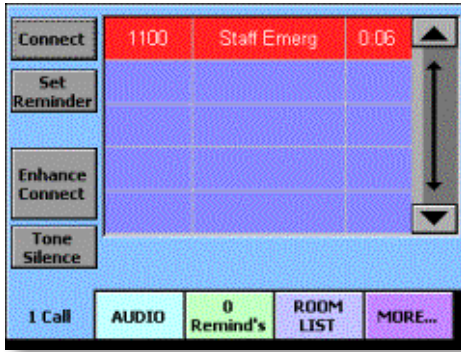
Auxiliary hardware is not part of the nurse call system. Before connecting auxiliary hardware to an auxiliary input, staff must be trained and certified in using the auxiliary hardware properly.



Technical specifications

Operation

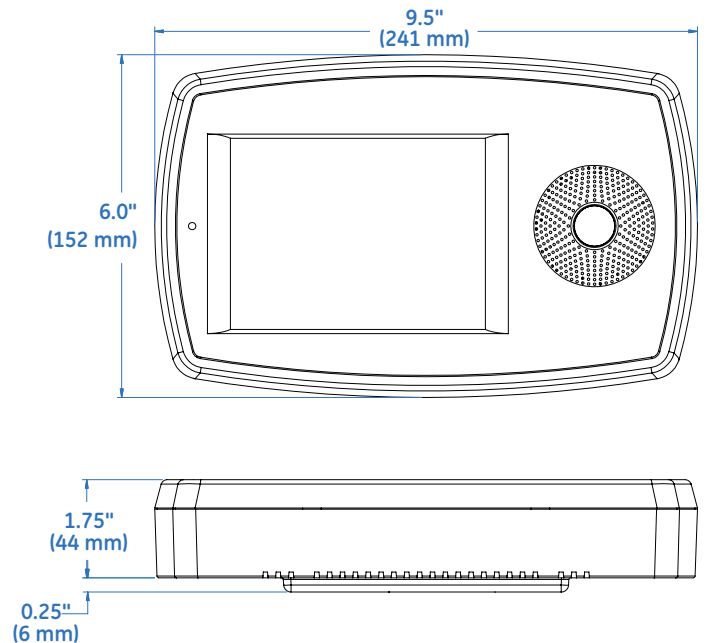
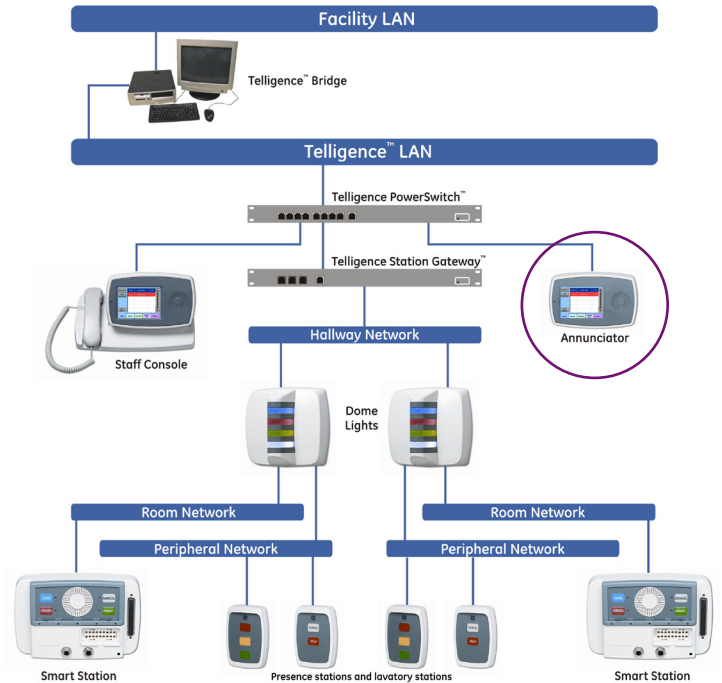
The ColorTouch VoIP Annunciator's default screen shows all active calls in order of priority. On screen UP/DOWN scroll arrows on the right side of the touchscreen allow the operator to view all calls from subscribed stations. Each call will indicate the room number, call type, and a timer indicating how long the call has been active. Additional touch-screen buttons along the bottom of the display remain in view at all times.



A large touchscreen display with intuitive controls helps to ensure that calls are handled quickly and efficiently.

Installation

The ColorTouch VoIP Annunciator resides on the Telligence LAN as an IP device. It connects to the Telligence network with a Telligence PowerSwitch. Interconnection is by means of Category 5/5e/6 cable with RJ-45 connectors. Cabling carries data, audio, as well as all required operating power for the device.



Performance specifications

The ColorTouch VoIP Annunciator is a wall mounted communication device with color touchscreen display. The housing features a 14.2 cm (5.6 in) backlit color touch screen display. The ColorTouch VoIP Annunciator is powered via the local area network connection. The ColorTouch VoIP Annunciator connects to the system using Cat 5/5e/6 cabling.

The ColorTouch VoIP Annunciator provides comprehensive full-duplex two-way Voice-over-IP and visible communications. The ColorTouch VoIP Annunciator is capable of serving a total of 512 Smart Patient and Staff/Duty Stations with a maximum of 8 beds per room.

The ColorTouch VoIP Annunciator is a primary control and monitoring point for voice communications and signaling functions. ColorTouch VoIP Annunciator is capable of full-duplex voice communication by means of a built-in speaker/microphone.

The ColorTouch VoIP Annunciator provides a bright, easy-to read color touch screen display that provides at-a-glance visible indication of incoming calls, queued messages, and status indications. The ColorTouch VoIP Annunciator display provides an active call display showing location with priority and text message; individual call waiting messages showing the next call's location and priority; and the ability to scroll through the call queue.

The ColorTouch VoIP Annunciator provides a telephone dial pad screen for selecting individual stations, telephone dialing, and other numeric functions.

Power specifications

Electrical rating	40 VDC, 10.4 W
Power source	Powered Ethernet from PowerSwitch™

Physical specifications

Dimensions (HxWxD)	24.1 x 15.2 x 4.4 cm (9.5 x 6.0 x 1.75 in)
Weight	0.74 kg (1.62 lb)
Mounting	3-gang ring on a non-masonry box
Construction and finish	GE Cycoloy finished with a light texture to reduce fingerprints
Flammability rating	94 V-0
Terminations	RJ-45
Audio input	Microphone
Audio output	Speaker for full duplex speakerphone mode
Audio bandwidth	Approximately 64 kbps without compression
Compatibility	Telligence patient-staff communication networks
Controls	Touch screen

Certifications

UL 1069, CSA (22.2 No. 205-M1983), FCC (Part 15, Class A)

GE Healthcare
8200 West Tower Avenue
Milwaukee, WI 53223
USA

www.gehealthcare.com



imagination at work

© 2009 General Electric Company – All rights reserved.

General Electric Company reserves the right to make changes in specifications and features shown herein, or discontinue the product described at any time without notice or obligation. Contact your GE Representative for the most current information.

Not to be used for installation purposes.

GE and GE Monogram are trademarks of General Electric Company.

Telligence, PowerSwitch and ColorTouch are trademarks of General Electric Company.

GE Medical Systems Information Technologies, Inc., a General Electric company, doing business as GE Healthcare.