

# Auxiliary Input and Call Cord Stations

## HC-CCSTN, HC-AUX2, HC-AUX2-ISO

Auxiliary Input and Call Cord Stations are addressable initiating devices that provide bedside call-for-assistance indication to the patient-staff communications system. When an Auxiliary Input or Call Cord Station is activated, visual indication of the call displays at the dome light associated with the patient room, and an appropriate call indication registers on the ColorTouch™ VoIP Staff Console, as well as any installed ColorTouch VoIP Annunciators. An LED also illuminates on the front of the station until the call is canceled.

Auxiliary Input Stations are typically used for connecting auxiliary hardware. These stations provide two inputs at dedicated 0.25 in jacks, which are isolated or non-isolated, depending on the model. Call Cord Stations provide one 0.25 in jack input to support a single call cord. They include a dedicated CANCEL button.

Auxiliary hardware is not part of the nurse call system. Before connecting auxiliary hardware to an auxiliary input, staff must be trained and certified in using the auxiliary hardware properly. All Auxiliary Input and Call Cord Stations provide NiteLite™ on-board lighting for easy visibility under low ambient light conditions, and they feature a snap-together design with no mounting screws visible after installation.

Auxiliary Input and Call Cord Stations are installed wherever patients or staff may require assistance, or where it is desirable to have auxiliary hardware announce changes of state on the nurse call system. Because they are Signature Series® peripheral devices these stations are completely self-addressable and there are no DIP switches or jumpers to set. The communications system automatically recognizes each device.

Auxiliary Input Stations are for use with latching hardware only.



### Features

- Site-configurable buttons
- Field programmable
- Supports Signature Series 2-wire communications protocol
- One or two 0.25 in jacks
- NiteLite on-board lighting
- Snap-together design – quick installation, no visible screws
- Mounts to a standard single-gang ring mounted on a non-masonry box
- LED indicators
- Continually communicates over the Telligence™ network to report status

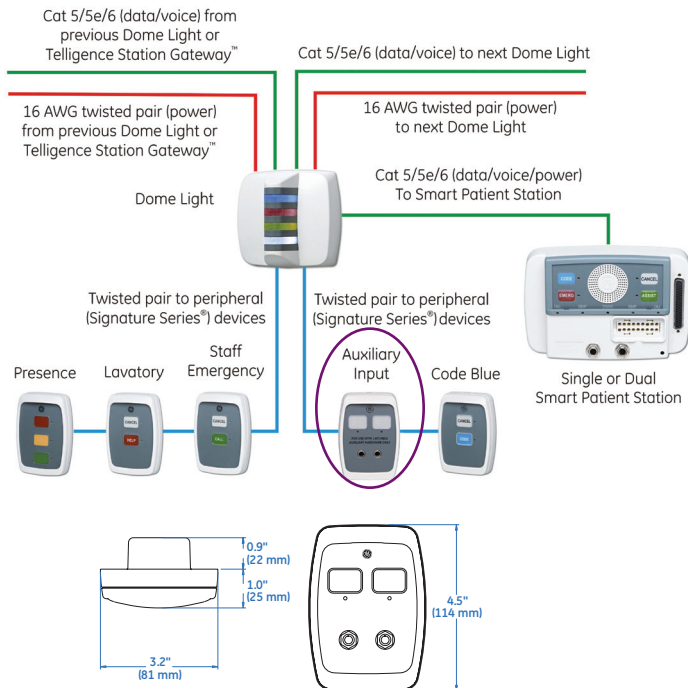
**Note:** Auxiliary hardware must be listed to appropriate safety standards. Auxiliary hardware must have a latching, normally open, dry contact relay, and must also provide a cable that has a standard 0.25 in (0.064 cm) plug.



## Technical specifications

### Installation

Auxiliary Input and Call Cord Stations receive all data and power from a single pair of wires originating from the Telligence Station Gateway™ and routed through an adjacent dome light. A single data loop may serve all the stations in a patient area. Stations mount to a standard single-gang electrical box. Device wiring is terminated at a quick-connect terminal block.



### Performance specifications

Auxiliary Input Stations and Call Cord Stations install on a single-gang ring mounted on a non-masonry box and use a snap-together design with no visible mounting screws after it has been installed. The Auxiliary Input Station and Call Cord Station communicate to the Nurse Call System using no more than a single pair of wires that connect all room peripheral devices to the Dome Light. Auxiliary Input Stations and Call Cord Stations have quick-connect terminations for the wires.

GE Healthcare  
8200 West Tower Avenue  
Milwaukee, WI 53223  
USA

[www.gehealthcare.com](http://www.gehealthcare.com)



All addressing of Auxiliary Input Stations and Call Cord Stations is automatic using an intelligent addressing scheme and does not require any manual addressing using DIP switches. Auxiliary Input Stations and Call Cord Stations have a NiteLite feature for visibility in dark rooms. Auxiliary Input Stations and Call Cord Stations include software configurable buttons and have field replaceable button labels using a label inserted behind the clear button membrane.

### Power specifications

Electrical rating 19 VDC, .12 W

### Physical specifications

Dimensions 11.4 x 8.1 x 4.7 cm  
(HxWxD) (4.5 x 3.2 x 1.9 in)  
Mounting Single-gang ring mounted on a non-masonry box  
Construction and finish GE Cyclopol finished with a light texture to reduce fingerprints  
Flammability rating 94 V-0  
Controls Buttons  
Terminations Quick terminal strip

### Certifications

UL, CSA (22.2 No. 205-M1983)

### Ordering information

Auxiliary Input Call Cord Stations	
Model #	Description
HC-AUX2	Dual Auxiliary Input Station
HC-AUX2-ISO	Isolated Dual Auxiliary Input Station
HC-CCSTN	Single Call Cord Station

© 2009 General Electric Company - All rights reserved.

General Electric Company reserves the right to make changes in specifications and features shown herein, or discontinue the product described at any time without notice or obligation. Contact your GE Representative for the most current information.

Not to be used for installation purposes.

GE and GE Monogram are trademarks of General Electric Company.

Telligence, Telligence Station Gateway, ColorTouch, NiteLite and Signature Series are trademarks of General Electric Company.

GE Medical Systems Information Technologies, Inc., a General Electric company, doing business as GE Healthcare.